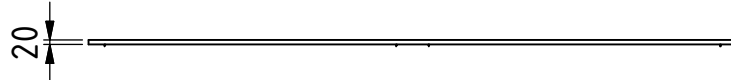
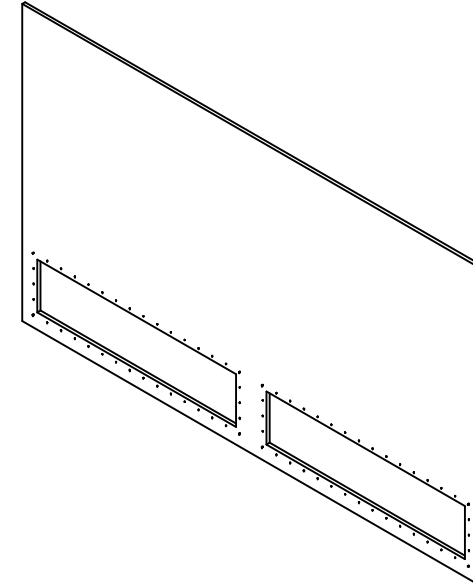
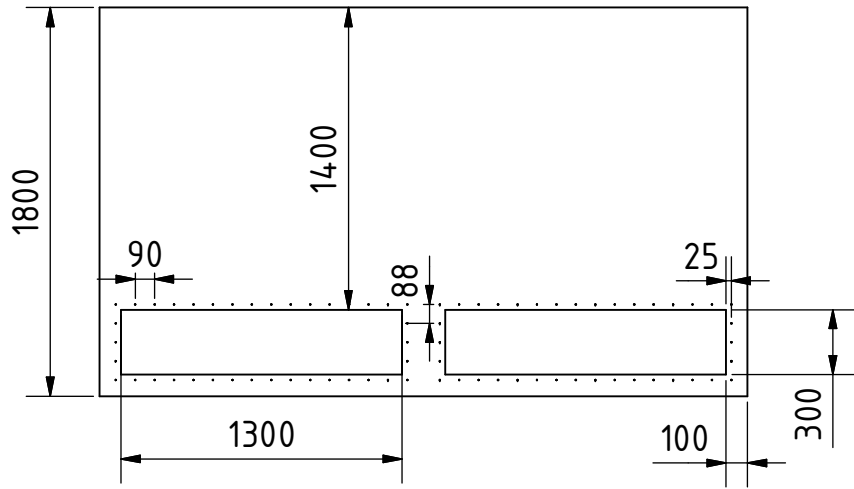
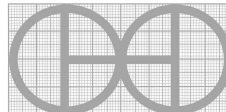


# ELEVATION ( 1 : 35 )



Note: All units in mm.

|                  |   |              |            |          |
|------------------|---|--------------|------------|----------|
| PROJECT          | CREATED BY  | APPROVED BY  | DATE       | VERSION  |
| Batch Tray Dryer | J. Zeron  | A. Morillo   | 10/08/2021 | 1.0      |
| PART NAME        | FILE NAME   |              |            | POS      |
| Cabinet back     | Cabinet back.ipt  |              |            | 1.2      |
| DEVELOPED BY     | REDESIGNED BY   | DOC. TYPE    | MATERIAL   | QUANTITY |
|                  |  | Part         | Hard wood  | 1        |
| Practical Action | OHO e.V.  | LICENCE      | SCALE      | SHEET    |
|                  |   | CC-BY-SA 4.0 | 1:35       | 7 /28    |