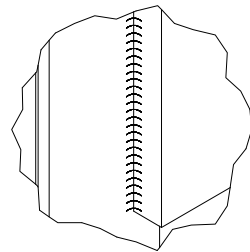
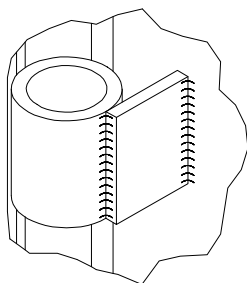


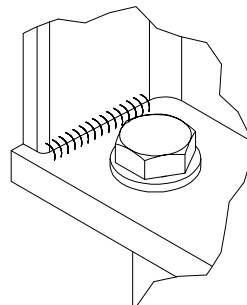
C (1 : 2)



D (1 : 2.5)



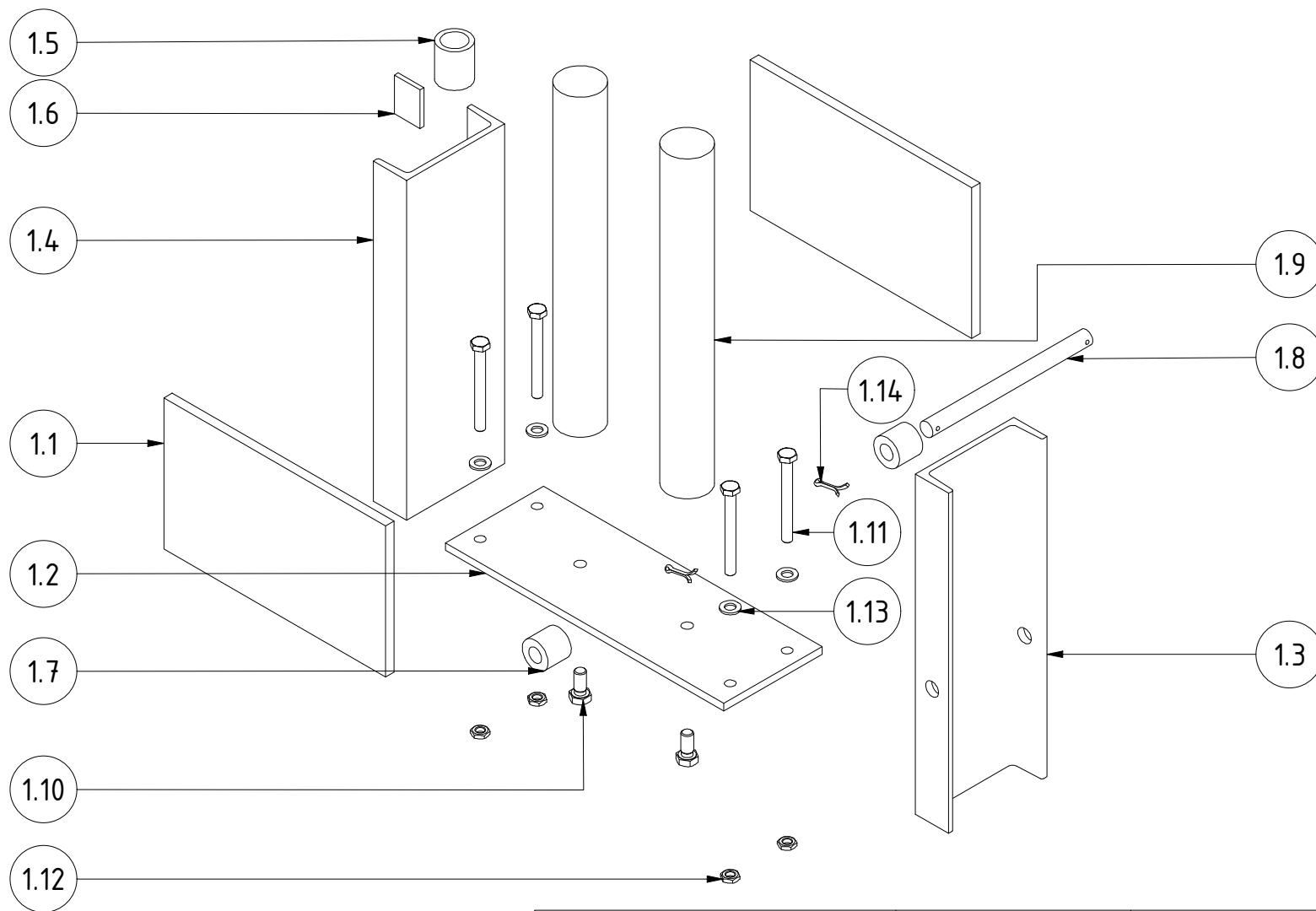
A (1:3)

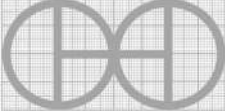


B (1 : 2)

Note: All units in mm.

PROJECT Brick Making Machine CETA-RAM - for soil bricks		CREATED BY J. Rosciano	APPROVED BY A. Morillo	DATE 28/07/2021	VERSION 1.1
PART NAME Structure		FILE NAME Structure.iam			POS 1.0
DEVELOPED BY Centro de Experimentación en Tecnología Apropiaada	REDESIGNED BY OHO e.V.	DOC. TYPE Assembly	MATERIAL	QUANTITY 1	
		LICENCE CC-BY-SA 4.0	SCALE 1/8	SHEET 7 /53	



PROJECT Brick Making Machine CETA-RAM - for soil bricks		CREATED BY J. Rosciano	APPROVED BY A. Morillo	DATE 28/07/2021	VERSION 1.1
PART NAME Structure		FILE NAME Structure.ipn			POS 1.0
DEVELOPED BY Centro de Experimentación en Tecnología Apropriada		REDESIGNED BY  OHO e.V.	DOC. TYPE Assembly	MATERIAL	QUANTITY 1
			LICENCE CC-BY-SA 4.0	SCALE 1/7	SHEET 8 /53